

# **Chapter 06**

## **Dimensions and Areas**

## TABLE OF CONTENTS

Chapter	Title	
<b>06-00-00</b>	<b>GENERAL</b> .....	<b>3</b>
<b>06-10-00</b>	<b>MAIN DATA</b> .....	<b>4</b>
06-10-01	Main Dimensions .....	4
06-10-02	Wing .....	4
06-10-03	Horizontal Tail .....	4
06-10-04	Elevator .....	5
06-10-05	Vertical Tail .....	5
06-10-06	Rudder .....	5

## 06-00-00

## GENERAL

The for measuring and weighing the aircraft relevant reference planes are the following:

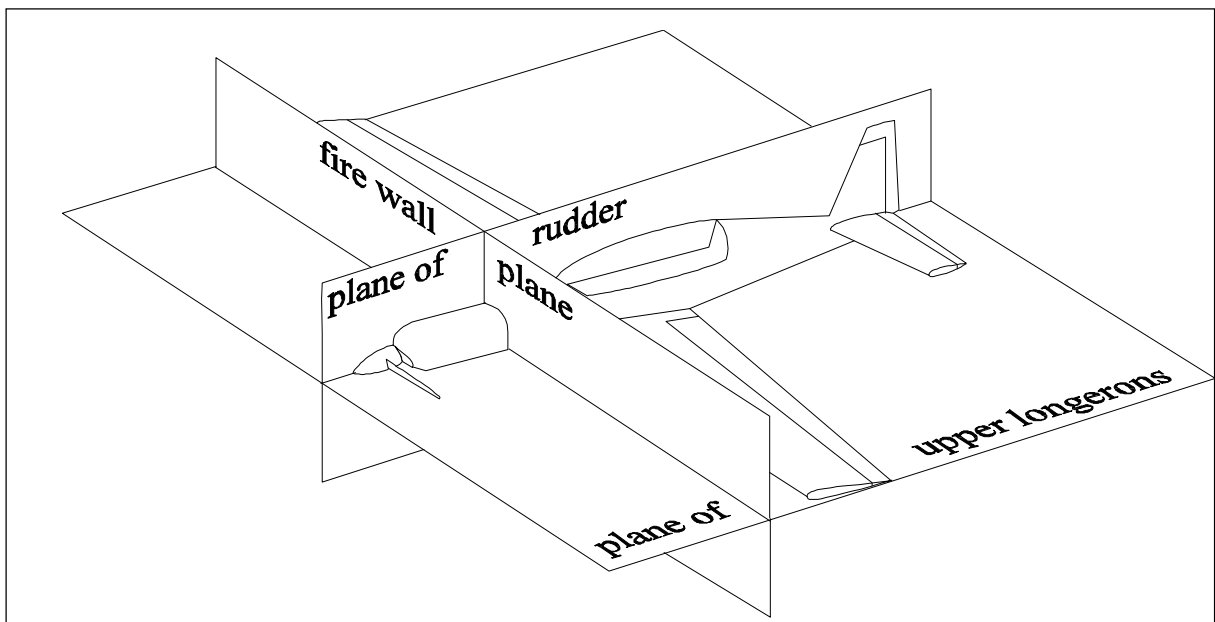
### Reference Planes

Plane of upper longerons (horizontal plane)

Plane of rudder (Vertical/symmetry plane)

Fire wall plane (Vertical plane)

The following figure 1 shows the aircraft planes :



*Axes and Planes  
Figure 1*

Unless otherwise stated, all measurements given in this manual are in metric (additional in feet) and are measured parallel to the corresponding reference planes.

## 06-10-00

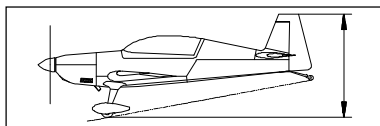
## MAIN DATA

### 06-10-01

### Main Dimensions

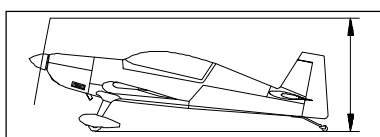
(Refer to Figure 2 on page 6)

Length: 6,96 m (22,83 ft)



*Height 1*

Height 1: 2.62 m (8.60 ft)



*Height 2*

Height 2: 2.59 m (8.45 ft)

Span: 8.00 m (26.25 ft)

Wheelbase: 5.00 m (16.40 ft)

Wheel-track: 1.80 m (5.91 ft)

MTOW: Normal category 950 kg  
Acro (1 seat) 820 kg  
Acro (2 seats) 870 kg

### 06-10-02

### Wing

Span: 8.0 m (26.25 ft)

Area: 10.7 m<sup>2</sup> (115.17 ft<sup>2</sup>)

Airfoil: Root: MA 15 S. Tip: MA 12 S

Chord: Root: 1.85 m. Tip: 0.87 m

MAC: 1.404 m ( 4.61 ft)

Aileron area: 2 x 0.855 m<sup>2</sup> (2 x 9.20 ft<sup>2</sup>)

Aileron deflection: ± 30°, tolerance ± 2°

### **06-10-03**

#### **Horizontal Tail**

Span: 3.20 m (10.50 ft)  
Area: 2.56 m<sup>2</sup> (27.56 ft<sup>2</sup>)  
Airfoil: Wortmann FX 71-L-150/30

### **06-10-04**

#### **Elevator**

Area: 0.77 m<sup>2</sup> (8.29 ft<sup>2</sup>)  
Elevator-deflection: up 25°, down 25°, tolerance ± 2°  
Trim-tab-deflection: up 15°, down 15°, tolerance ± 2°

### **06-10-05**

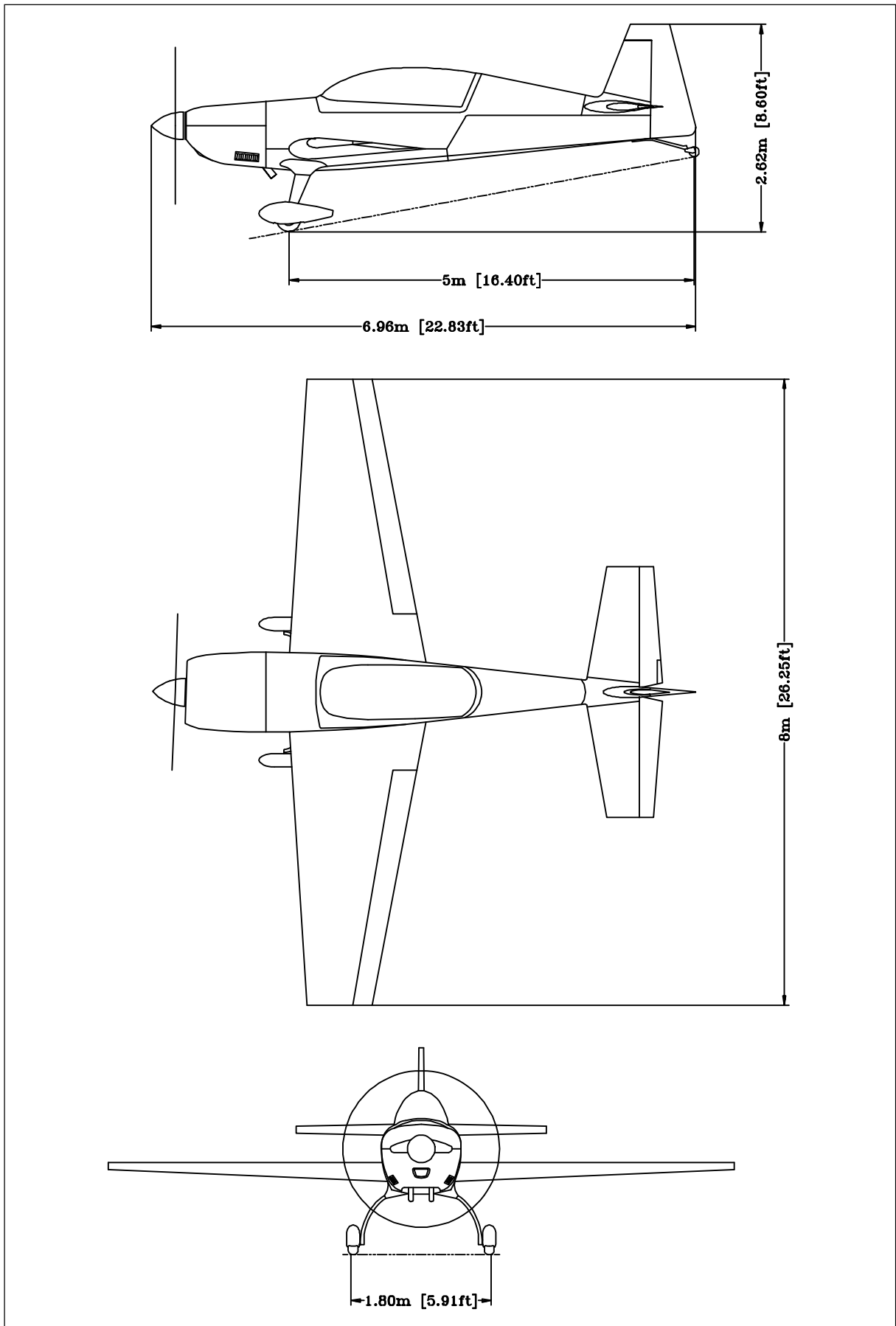
#### **Vertical Tail**

Area: 1.39 m<sup>2</sup> (14.96 ft<sup>2</sup>)  
Airfoil: Wortmann FX 71-L-150/30

### **06-10-06**

#### **Rudder**

Area: 0.51 m<sup>2</sup> ( 5.49 ft<sup>2</sup>)  
Rudder deflection: left 30°, right 30°, tolerance ± 2°



*Three-View EXTRA 300L*  
*Figure 2*